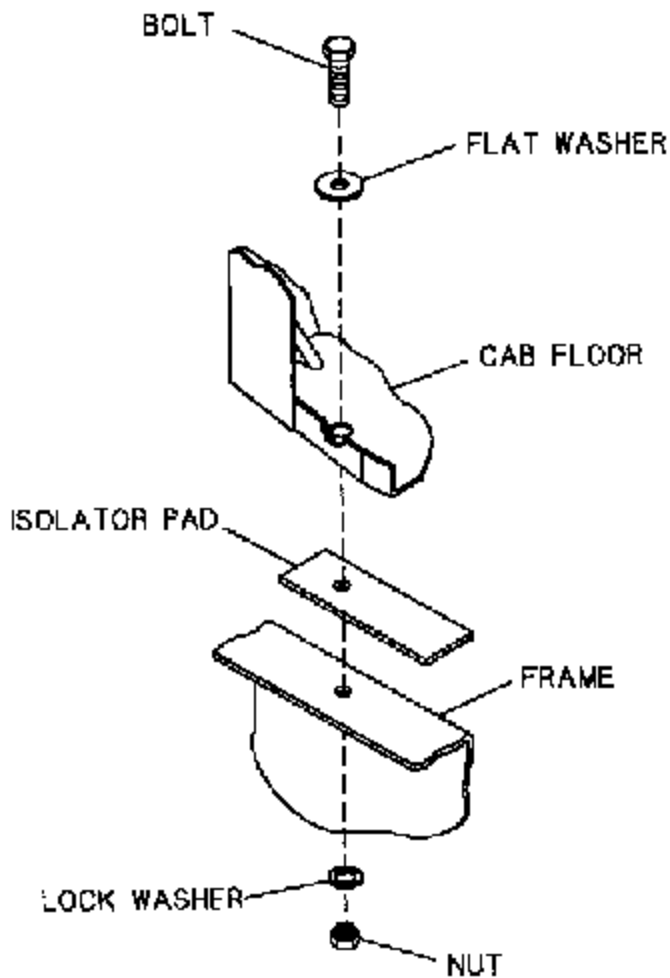
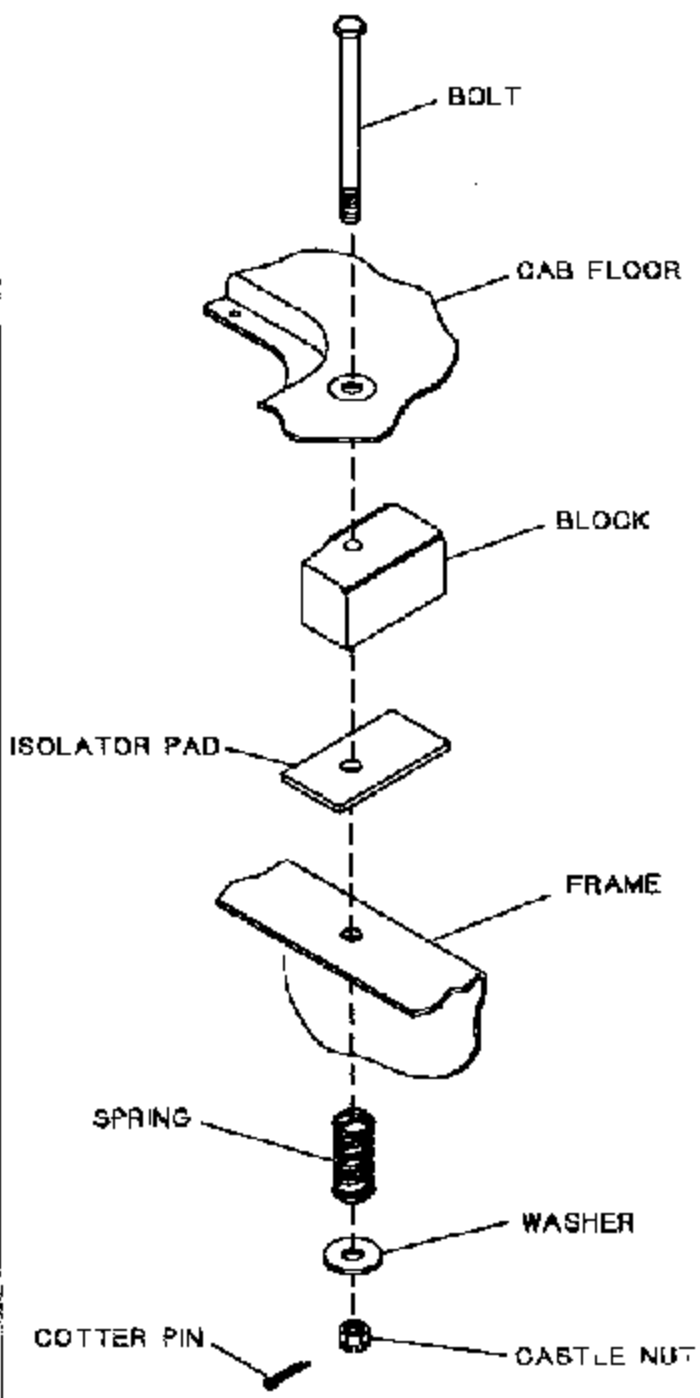


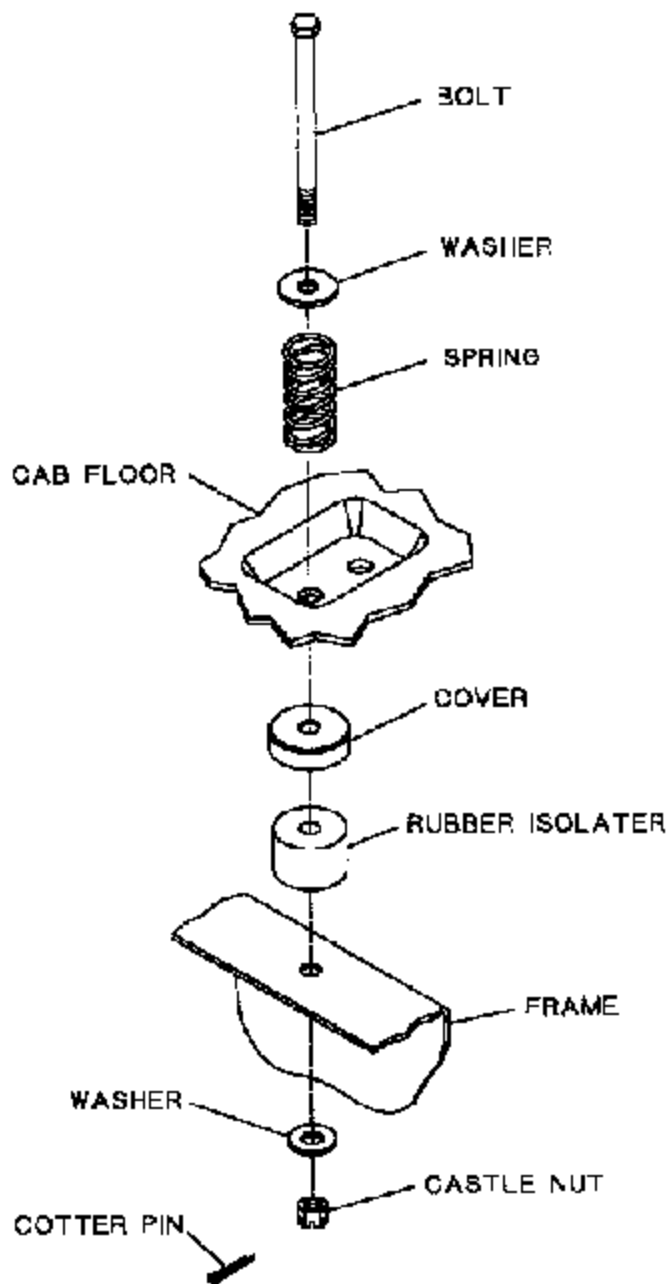
POSITION 2



POSITION 1 (FRONT OF CAB)



POSITION 3



POSITION 4 (REAR OF CAB)